

NOTE:  
BLUE MARK-UP REPRESENTS  
MISSING COLUMN CAPITALS  
PRIOR TO LANDMARK  
DESIGNATION



LANDMARKS DESIGNATION PHOTO Ca. 1973

WOOSTER ST.  
26 MISSING COL. CAPITALS

CANAL ST.  
10 MISSING COLUMN CAPITALS



PHOTO Ca. 2014

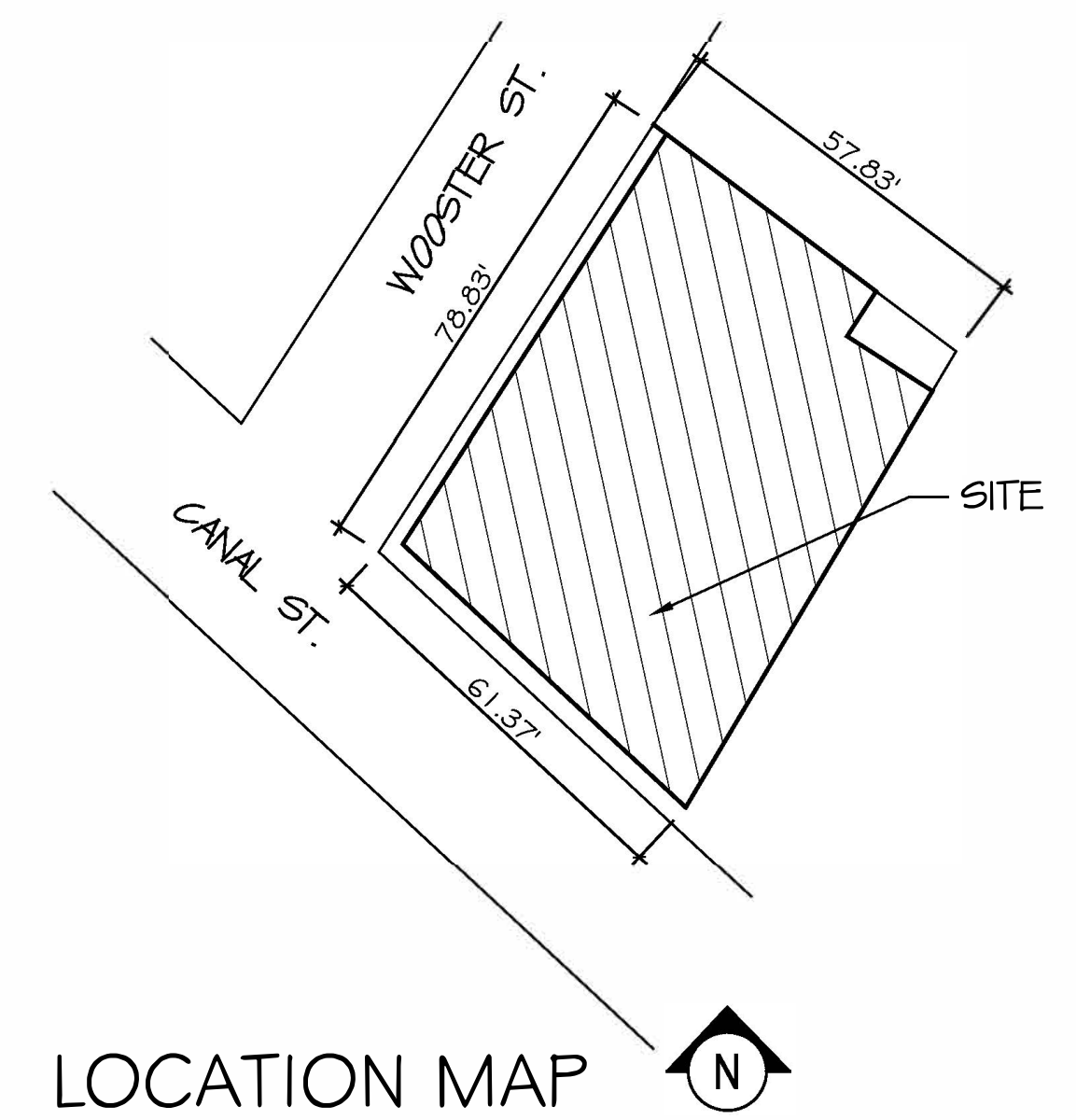
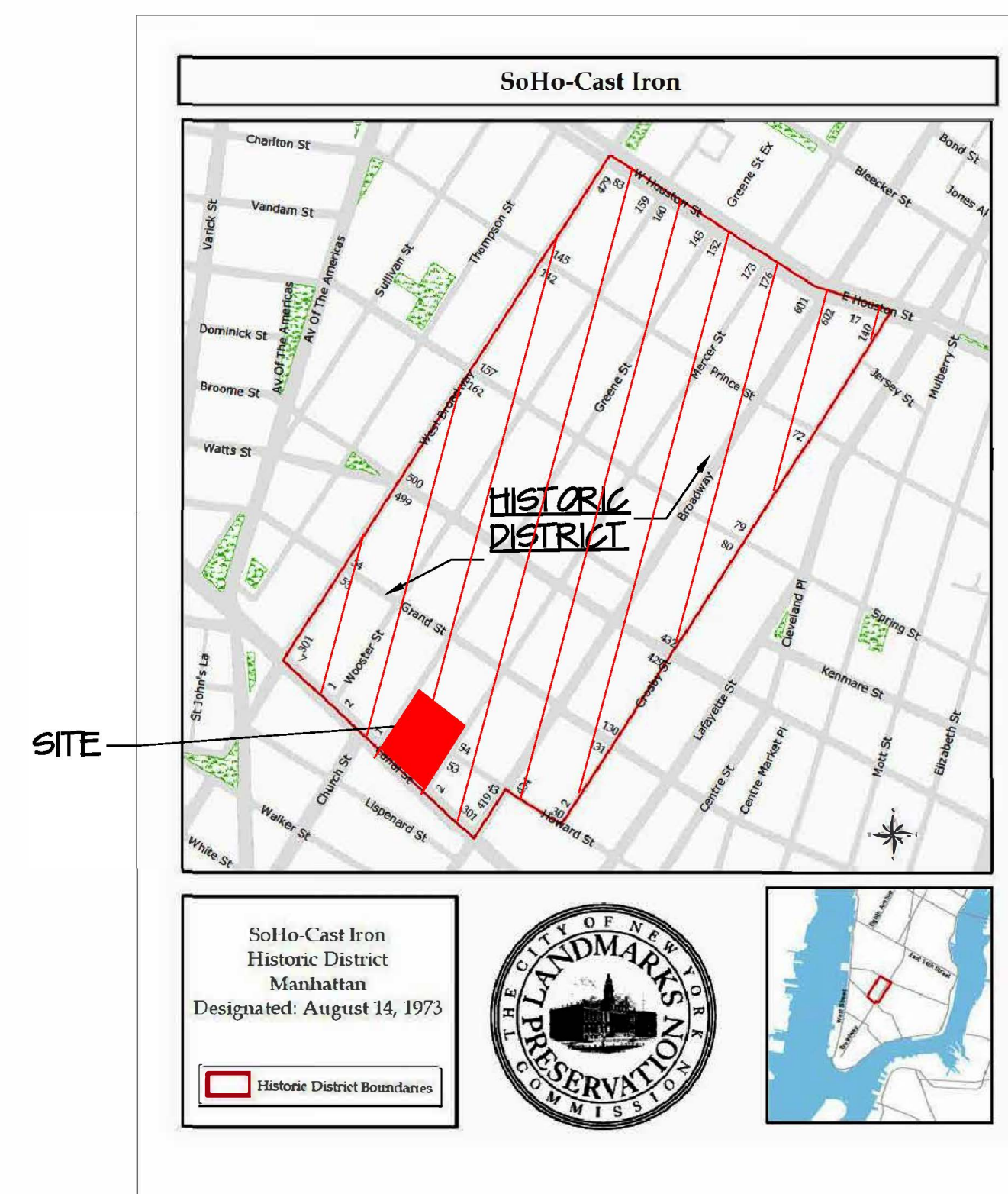
LEGEND : ○

WOOSTER ST.  
31 MISSING COL. CAPITALS

CANAL ST.  
23 MISSING COL. CAPITALS



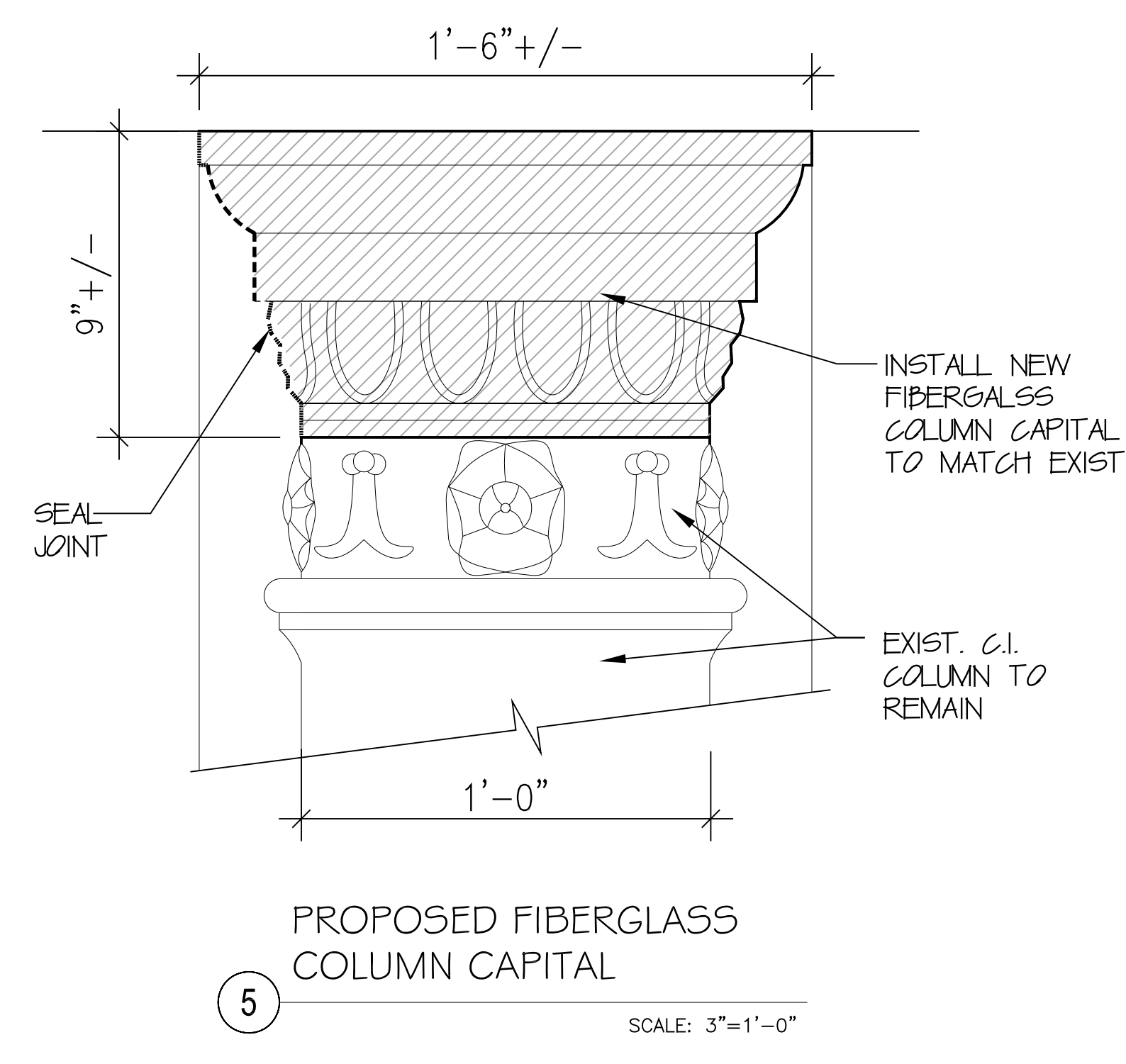
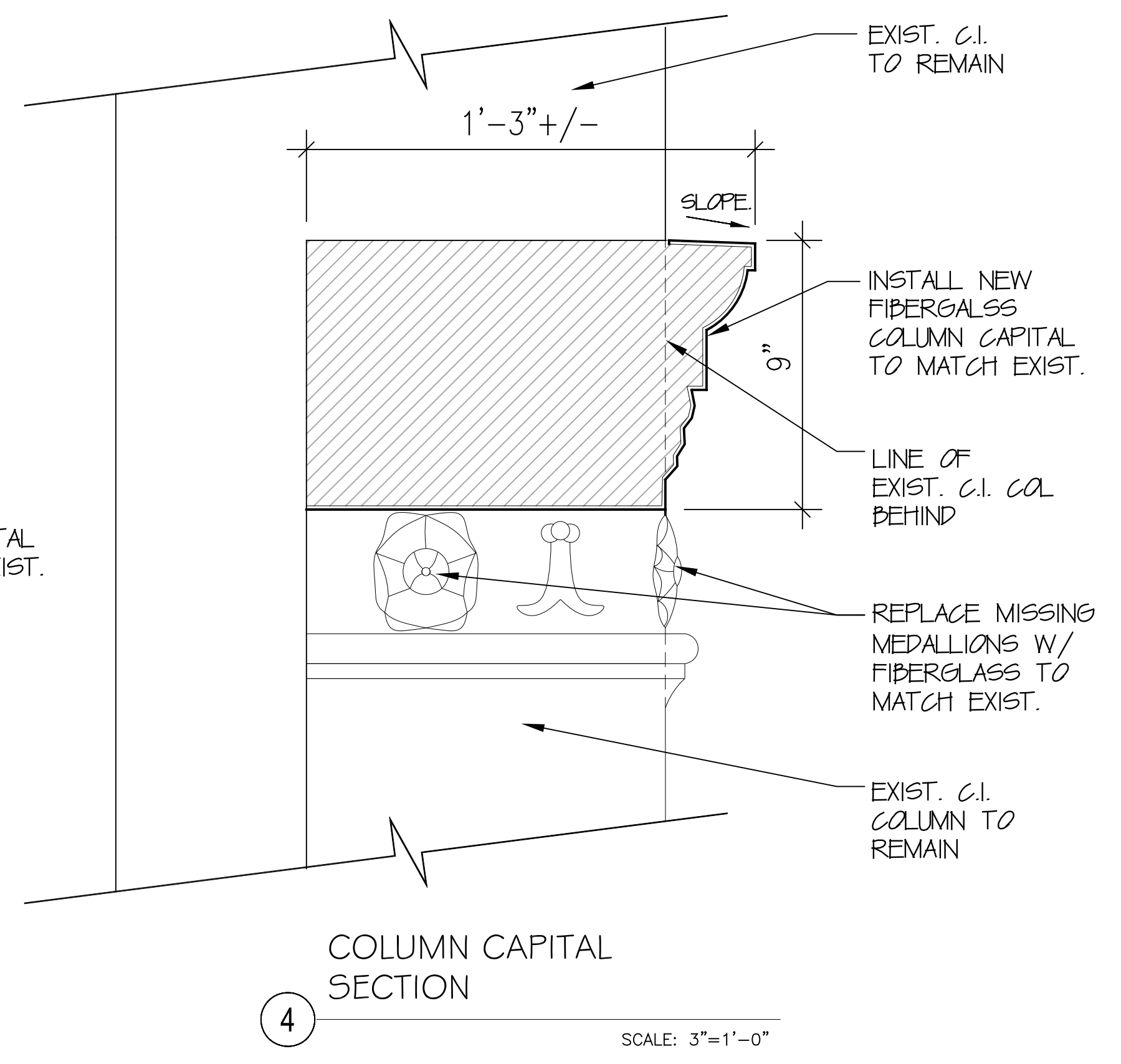
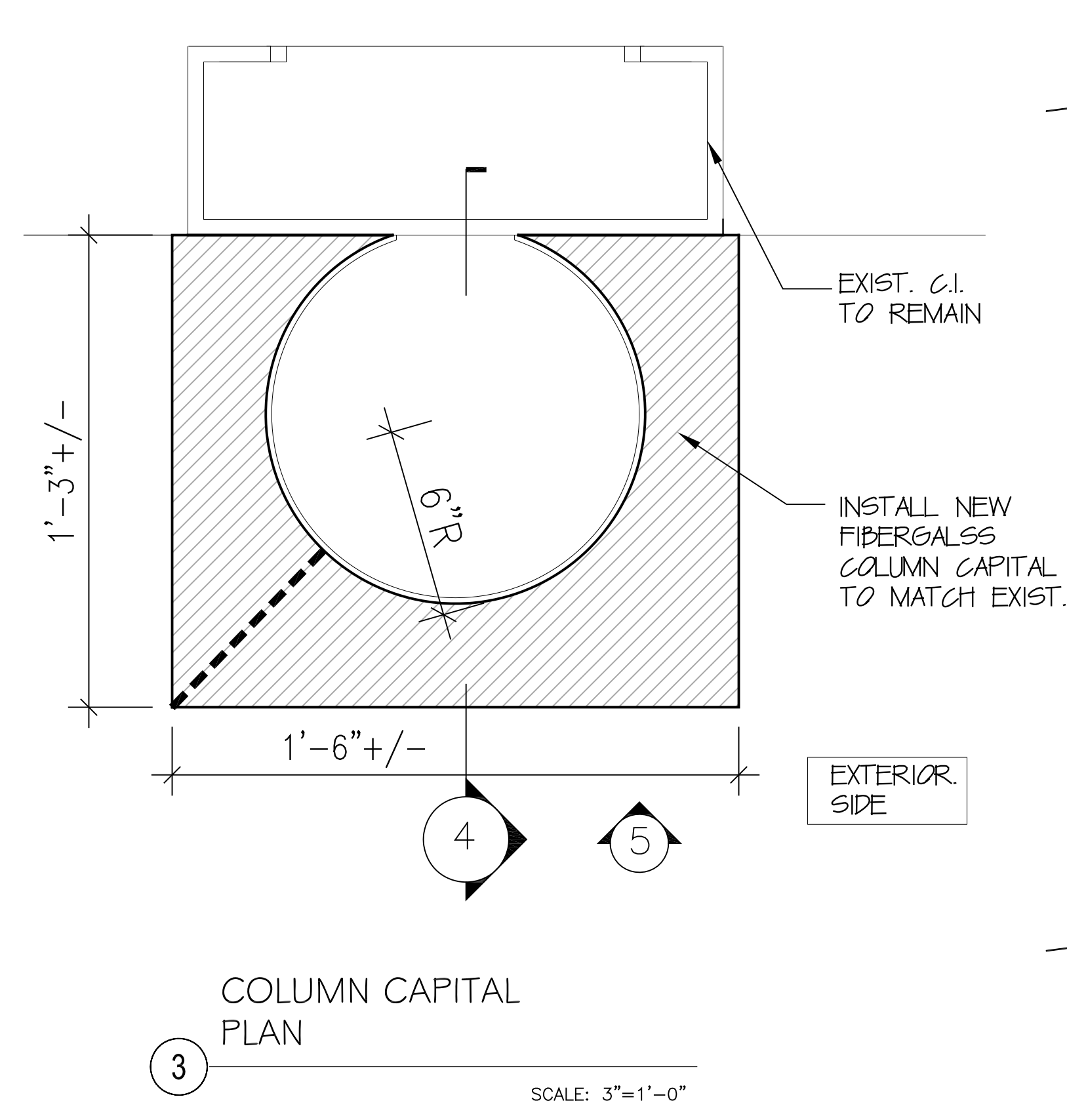
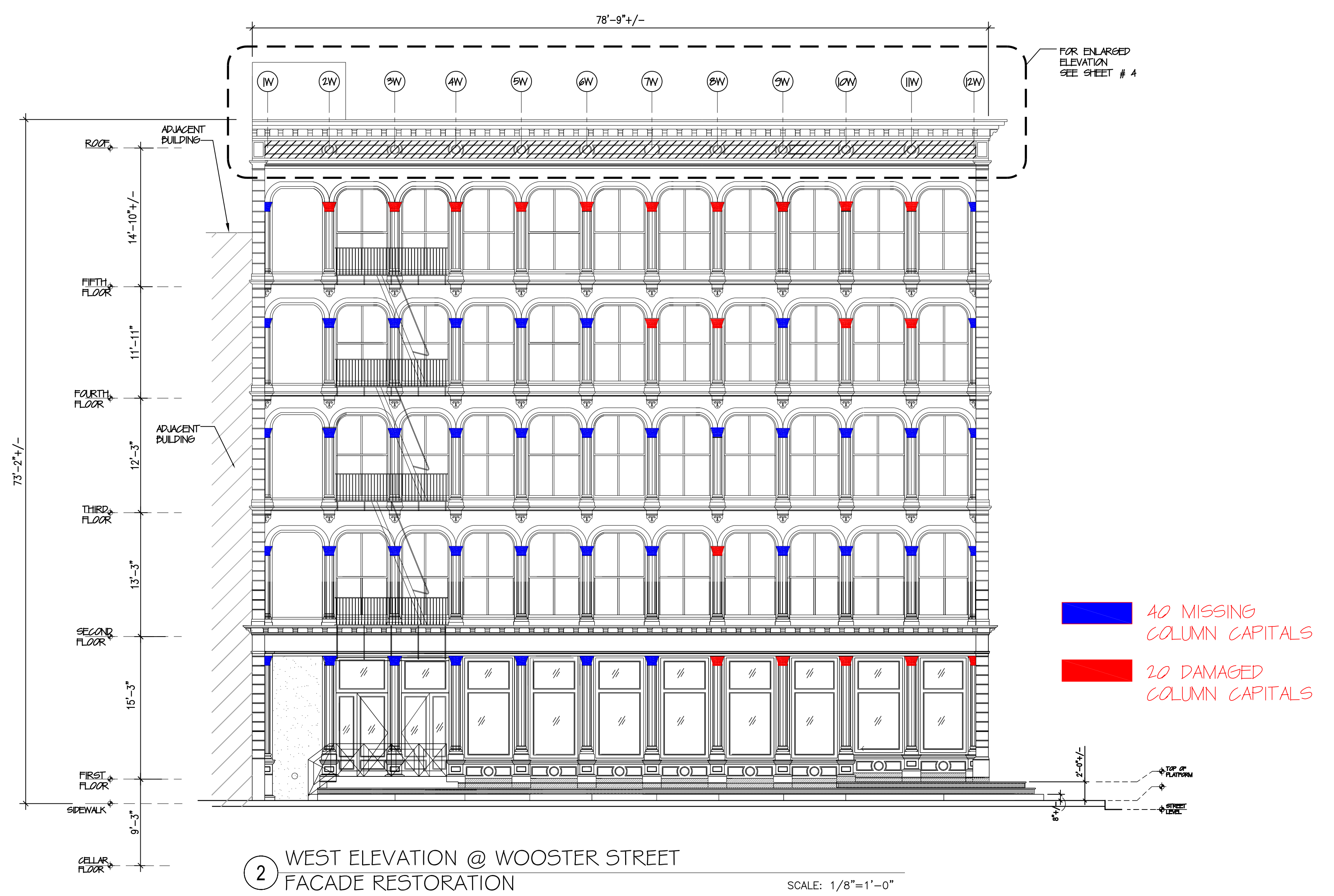
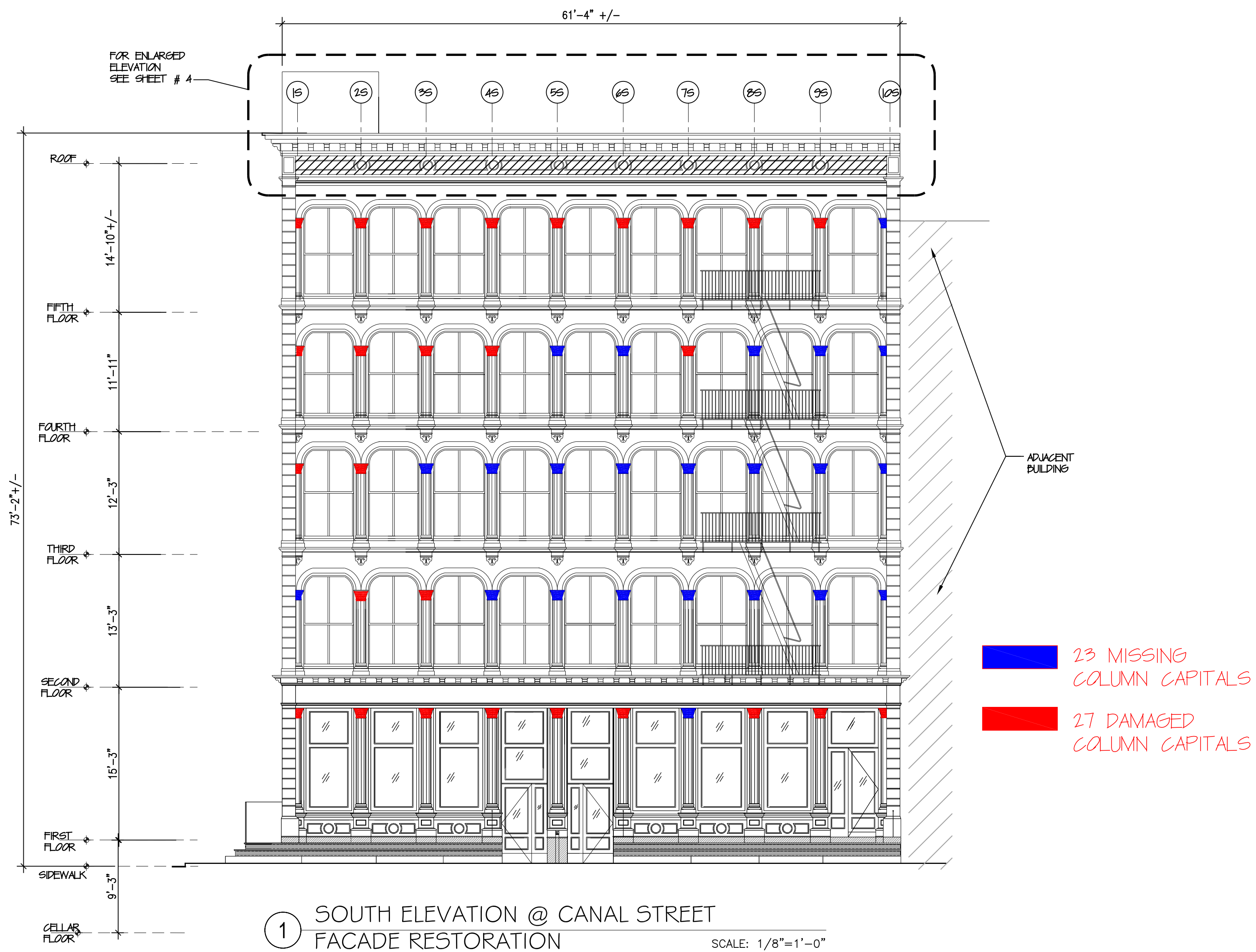
TAX PHOTO Ca. 1940



CURRENT  
LPC DOCKET # 19-22497  
COMMUNITY BOARD 2 &  
LANDMARKS PRESERVATION  
COMMISSION PRESENTATION

ALFRED KARMAN ARCHITECT  
121 WEST 27th STREET, SUITE #1103  
NEW YORK, NY 10001  
(212) 941-1112 alfredkarm@gmail.com  
PROJECT  
COLUMN CAPITAL REPLACEMENT  
351 CANAL ST.  
NEW YORK, N.Y.

7/16/18 COMMUNITY BOARD PRESENTATION  
& 7/24/18 LANDMARK PRESENTATION  
DWG. DATE : 7/10/18 1 of 6



FIBERGLASS COLUMN CAPITAL SAMPLE. COLOR TO MATCH EXIST.

CURRENT  
LPC DOCKET # 19-22497  
COMMUNITY BOARD 2 &  
LANDMARKS PRESERVATION  
COMMISSION PRESENTATION

ALFRED KARMAN ARCHITECT  
121 WEST 27th STREET, SUITE #1103  
NEW YORK, NY 10001  
(212) 941-1112 alfrkarm@gmail.com

PROJECT  
COLUMN CAPITAL REPLACEMENT  
351 CANAL ST.  
NEW YORK, N.Y.



CURRENT PHOTO 2015

LEGEND :

<u>WOOSTER ST.</u>	<u>CANAL ST.</u>	
40 MISSING COLUMN CAPITALS	23 MISSING COLUMN CAPITALS	TOTAL = 63 MISSING
20 DAMAGED REMAINING COLUMN CAPITALS	27 REMAIN NOT RESTORABLE COLUMN CAPITALS	TOTAL = 47



PRIOR TO DESIGNATION Ca. 1973

<u>WOOSTER ST.</u>	<u>CANAL ST.</u>
26 MISSING COLUMN CAPITALS	10 MISSING COLUMN CAPITALS

TOTAL = 36 MISSING

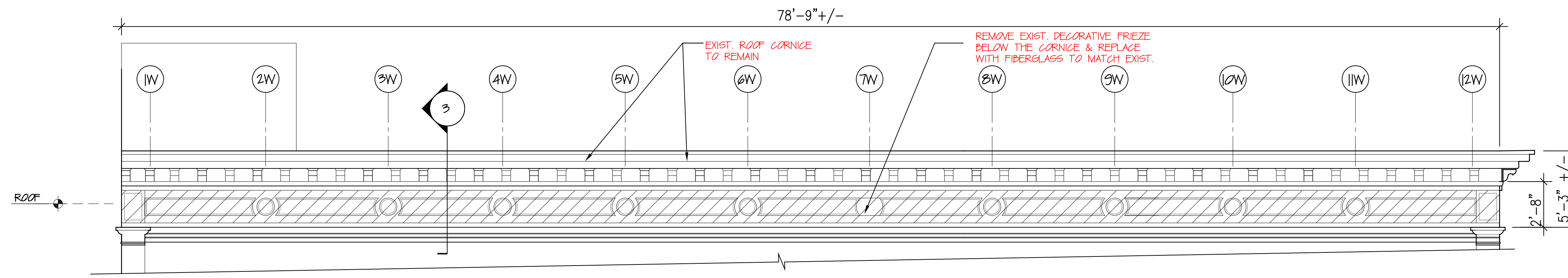
CURRENT  
LPC DOCKET # 19-22497

COMMUNITY BOARD 2 &  
LANDMARK PRESERVATION  
COMMISSION PRESENTATION

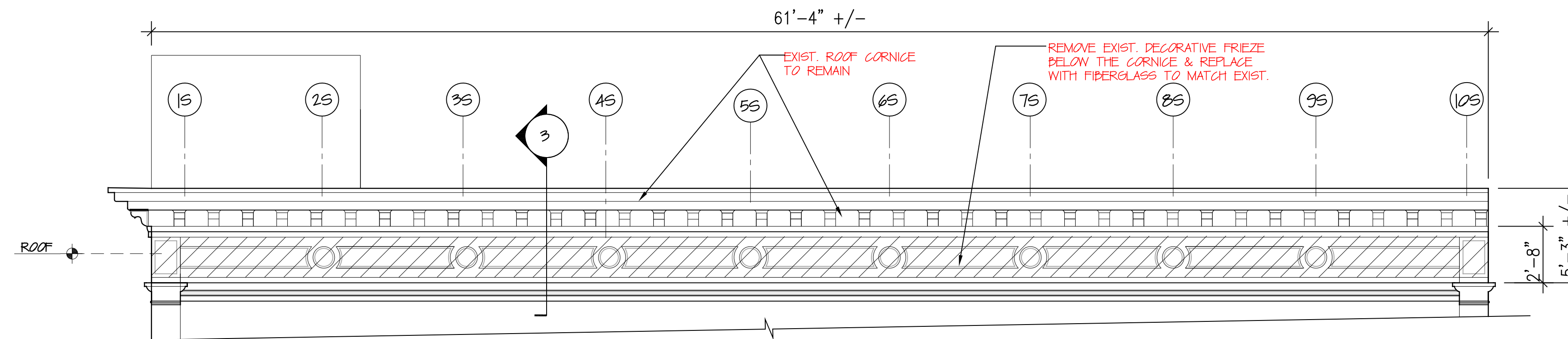
ALFRED KARMAN ARCHITECT  
121 WEST 27th STREET, SUITE #1103  
NEW YORK, NY 10001  
(212) 941-1112 alfkarm@gmail.com

PROJECT  
COLUMN CAPITAL REPLACEMENT  
351 CANAL ST.  
NEW YORK, N.Y.

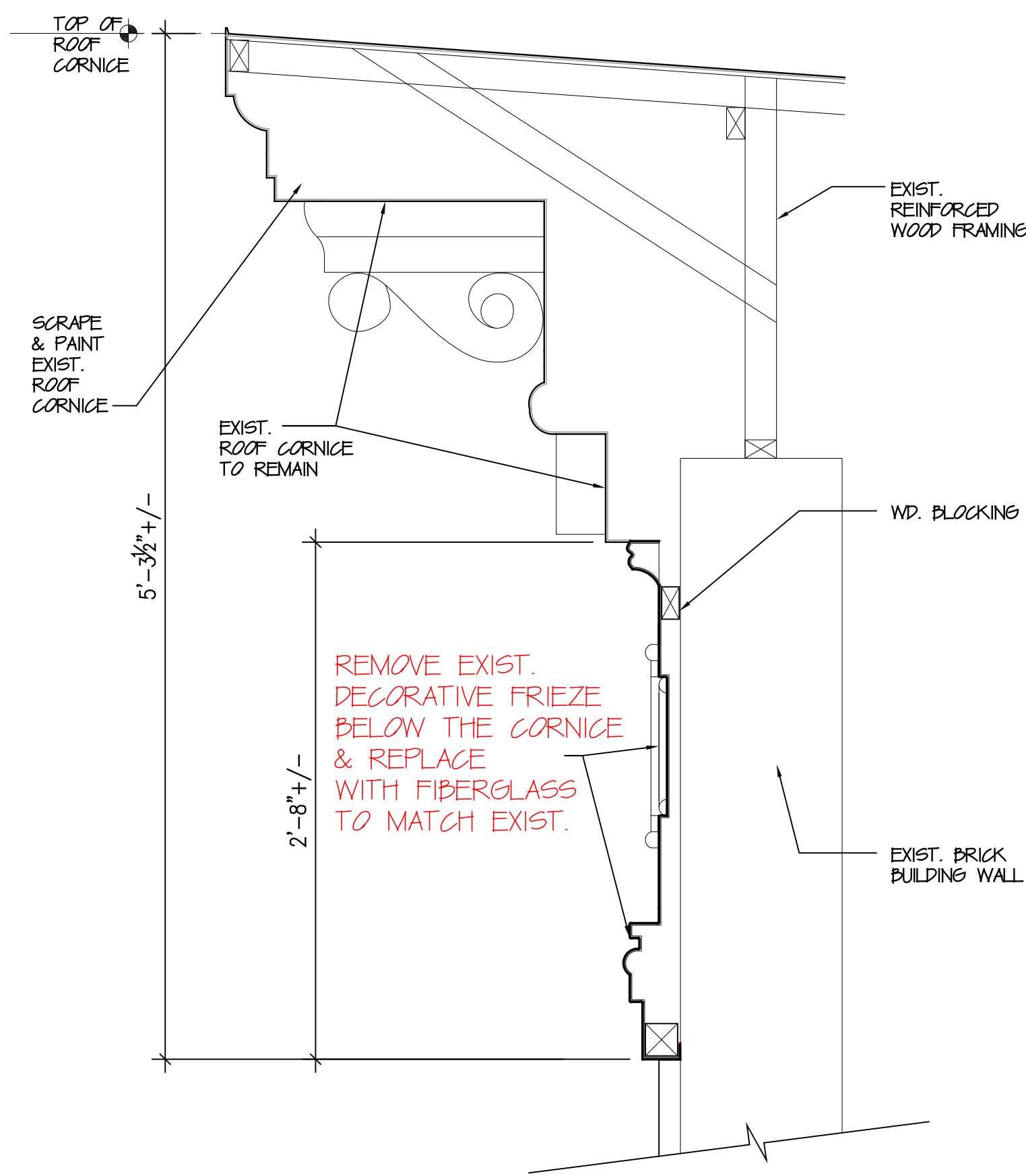
7/16/18 COMMUNITY BOARD PRESENTATION  
& 7/24/18 LANDMARK PRESENTATION  
DWG. DATE : 7/10/18 3 of 6



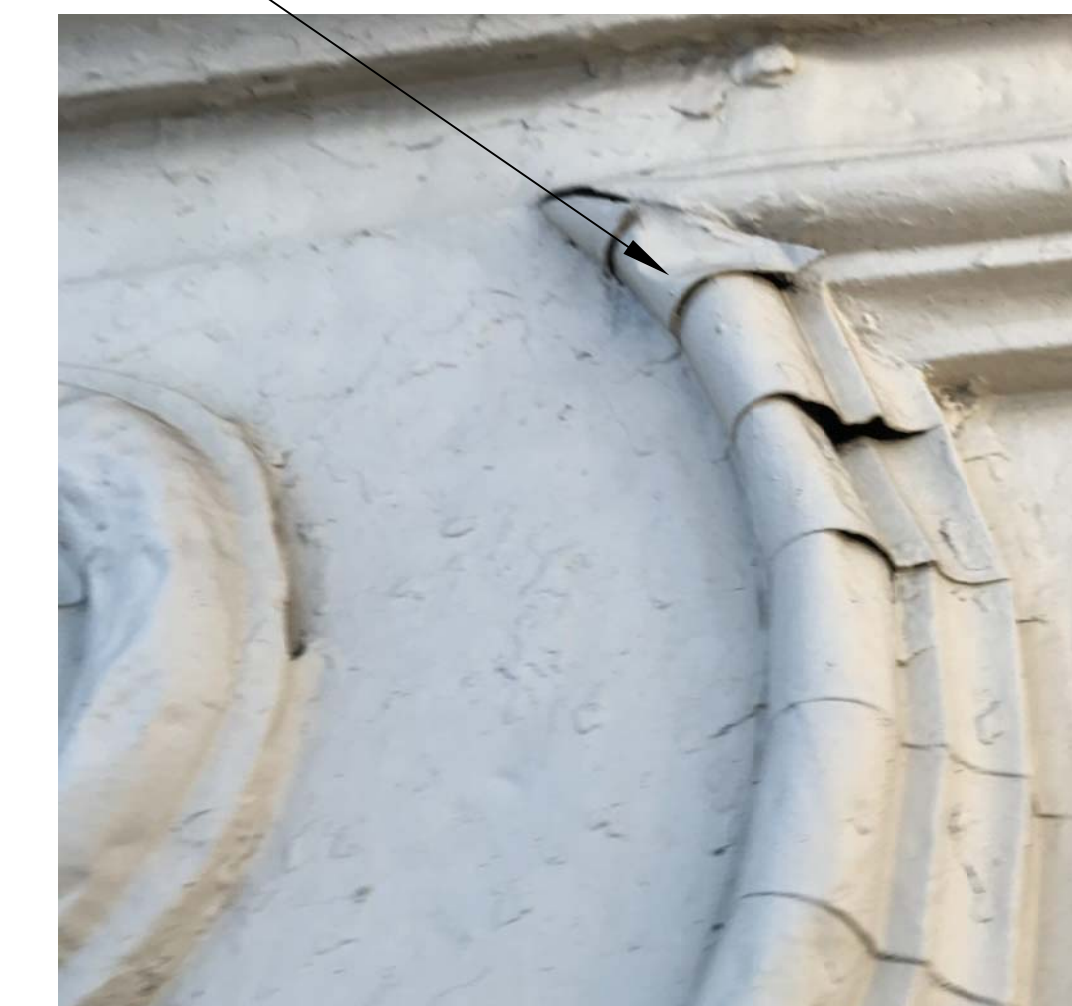
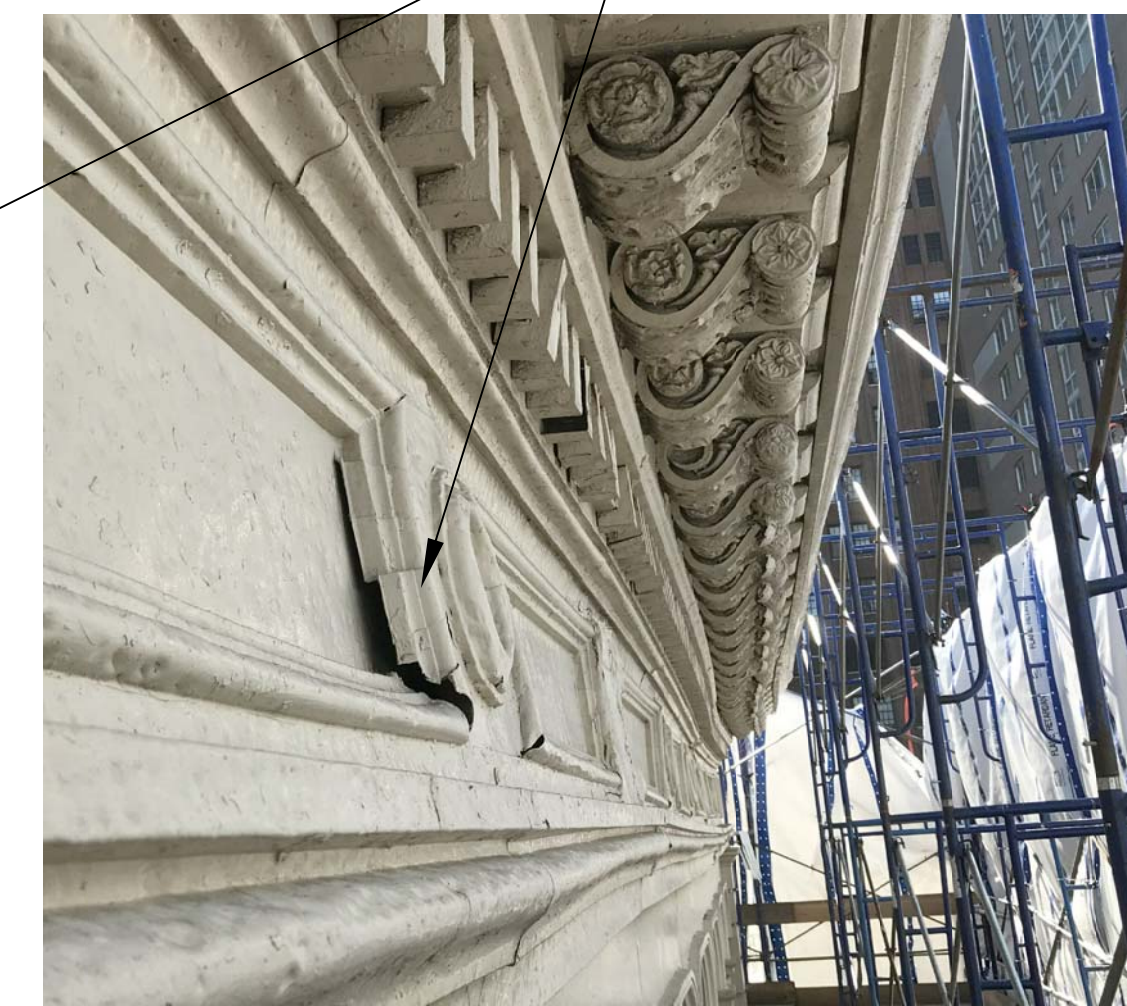
1 PARTIAL ROOF CORNICE  
@ WEST ELEVATION WOOSTER ST. SCALE: 1/4"=1'-0"



2 PARTIAL ROOF CORNICE  
@ SOUTH ELEVATION CANAL ST. SCALE: 1/4"=1'-0"



3 EXIST. ROOF CORNICE SECTION  
REPLACE FASCIA PANEL SCALE: 1 1/2"=1'-0"



EXIST. ROOF CORNICE PHOTOS

CURRENT  
LPC DOCKET # 19-22497

COMMUNITY BOARD 2 &  
LANDMARKS PRESERVATION  
COMMISSION PRESENTATION

ALFRED KARMAN ARCHITECT  
121 WEST 27th STREET, SUITE #1103  
NEW YORK, NY 10001  
(212) 941-1112 alfrkarm@gmail.com  
PROJECT  
COLUMN CAPITAL REPLACEMENT  
351 CANAL ST.  
NEW YORK, N.Y.

7/16/18 COMMUNITY BOARD PRESENTATION  
& 7/24/18 LANDMARK PRESENTATION  
DWG. DATE : 7/10/18 4 of 6



MISSING C.I. COLUMN CAPITAL



CRACKED COLUMN CAPITAL W/ MISSING ORNAMENTS



CRACKED / BROKEN C.I. COLUMN CAPITAL



CRACKED C.I. COLUMN CAPITAL



CRACKED C.I. COLUMN CAPITAL



DAMAGED OPEN C.I. CAPITAL



UNSAVAGABLE COLUMN CAPITALS



CURRENT  
LPC DOCKET # 19-22497

COMMUNITY BOARD 2 &  
LANDMARKS PRESERVATION  
COMMISSION PRESENTATION

ALFRED KARMAN, ARCHITECT  
121 WEST 27th STREET, SUITE #1103  
NEW YORK, NY 10001  
(212) 941-1112 alfrkarm@gmail.com

PROJECT  
COLUMN CAPITAL REPLACEMENT  
351 CANAL ST.  
NEW YORK, N.Y.



OVERVIEW OF UNSALVAGEABLE COLUMN CAPITALS

CURRENT  
LPC DOCKET # 19-22497  
  
COMMUNITY BOARD 2 &  
LANDMARKS PRESERVATION  
COMMISSION PRESENTATION

ALFRED KARMAN, ARCHITECT  
121 WEST 27th STREET, SUITE #1103  
NEW YORK, NY 10001  
(212) 941-1112 alfrkarm@gmail.com  
  
PROJECT  
COLUMN CAPITAL REPLACEMENT  
351 CANAL ST.  
NEW YORK, N.Y.